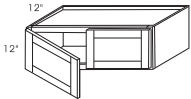
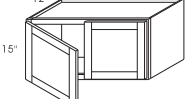
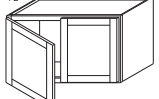

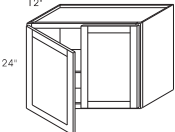
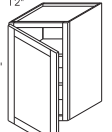
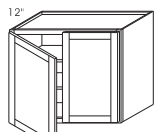
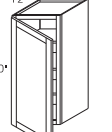
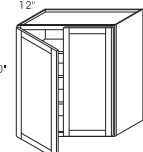

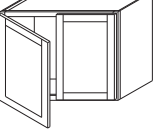
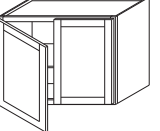
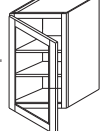
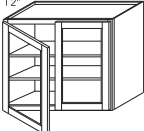
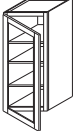
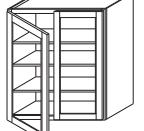
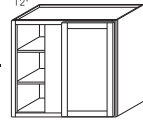
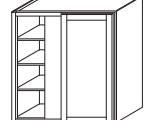

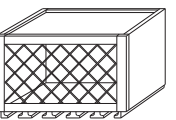

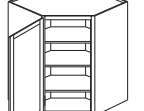


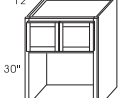
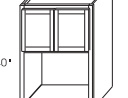
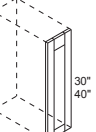

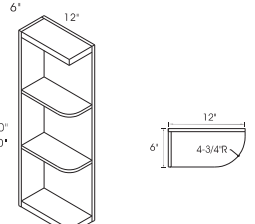
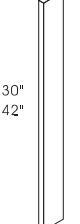

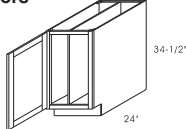
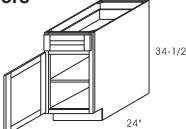
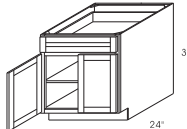
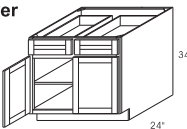
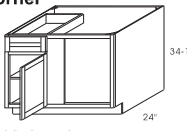
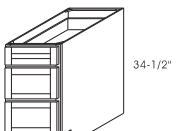
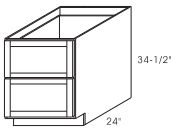
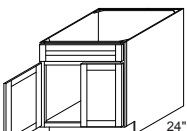
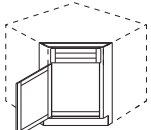
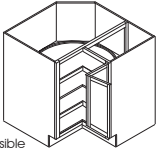
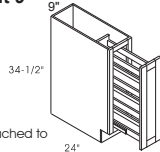
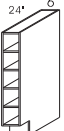
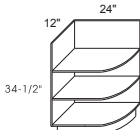
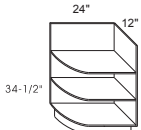
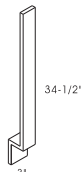
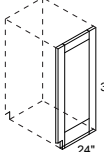
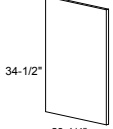
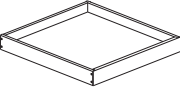
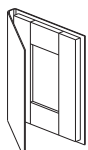
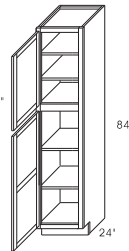
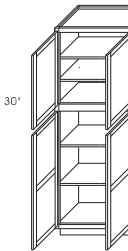
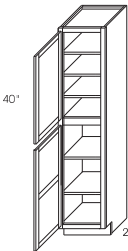
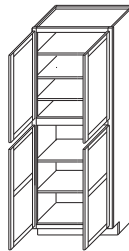


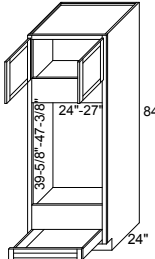
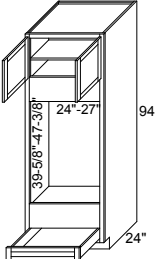
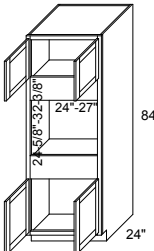
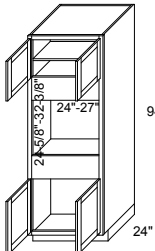
DESIGNER PLUS SERIES

<p>Wall Double Door 12"H</p> <p>W3012 W3312 W3612</p>  <p>- No shelf</p>	<p>Wall Double Door 15"H</p> <p>W3015 W3315 W3615</p>  <p>- No shelf - Not available in increased depth</p>	<p>Wall Double Door 18"H</p> <p>W3018 W3618</p>  <p>- No shelf - Not available in increased depth</p>	<p>Wall Double Door 21"H</p> <p>W3021 W3621</p>  <p>- No shelf - Not available in increased depth</p>
<p>Wall Double Door 24"H</p> <p>W3024 W3624</p>  <p>- One adjustable shelf - Not available in increased depth</p>	<p>Wall Single Door 30"H</p> <p>W0930 W1230 W1530 W1830 W2130</p>  <p>- Two adjustable shelves - Door are Left or Right reversible</p>	<p>Wall Double Door 30"H</p> <p>W2430 W2730 W3030 W3330 W3630</p>  <p>- Two adjustable shelves</p>	<p>Wall Single Door 40"H</p> <p>W0940 W1240 W1540 W1840 W2140</p>  <p>- Three adjustable shelves - Door are Left or Right reversible</p>
<p>Wall Double Door 40"H</p> <p>W2424 W2724 W3040 W3340 W3640</p>  <p>- Three adjustable shelves</p>	<p>Wall Refrigerator 24"Deep 12"H</p> <p>W301224 W361224</p>  <p>- No shelf - Additional support required - Additional 1 1/2" exposed cabinet style (each side)</p>	<p>Wall Refrigerator 24"Deep 21"H</p> <p>W302124 W362124</p>  <p>- No shelf - Additional support required</p>	<p>Wall Refrigerator 24"Deep 24"H</p> <p>W302424 W362424</p>  <p>- One adjustable shelf - Additional support required</p>
<p>Wall Single Glass Door 30"H</p> <p>GD-W1230 GD-W1530 GD-W1830 GD-W2130</p>  <p>- Two adjustable shelves - Door are Left or Right reversible</p>	<p>Wall Double Glass Door 30"H</p> <p>GD-W3030 GD-W3630</p>  <p>- Two adjustable shelves</p>	<p>Wall Single Glass Door 40"H</p> <p>GD-W1240 GD-W1540 GD-W1840 GD-W2140</p>  <p>- Three adjustable shelves - Door are Left or Right reversible</p>	<p>Wall Double glass Door 40"H</p> <p>GD-W3040 GD-W3640</p>  <p>- Three adjustable shelves</p>
<p>Wall Blind Corner Single Door</p> <p>Two shelves WBC2730</p>  <p>- Left shown - Two adjustable shelves - Door are Left or Right reversible</p>	<p>Wall Blind Corner Single Door</p> <p>Three shelves WBC2740</p>  <p>- Left shown - Three adjustable shelves - Door are Left or Right reversible</p>	<p>Wall China Display 12" Deep 16"H</p> <p>WCD3016</p> 	<p>Wine Rack with Glass Holder 30"x16"</p> <p>WC3016</p> 
<p>Wall Diagonal Corner Cabinet</p> <p>WDC2430</p>  <p>- Two adjustable shelves - Door are Left or Right reversible</p>	<p>Wall Diagonal Corner Cabinet</p> <p>WDC2440</p>  <p>- Three adjustable shelves - Door are Left or Right reversible</p>	<p>Wall Diagonal Corner Glass Door</p> <p>GD-WDC2430</p>  <p>- Two adjustable shelves - Door are Left or Right reversible</p>	<p>Wall Diagonal Corner Glass Door</p> <p>GD-WDC2440</p>  <p>- Three adjustable shelves - Door are Left or Right reversible</p>
<p>Wall Microwave Shelf Cabinet 30"H</p> <p>WWC3030X12</p> 	<p>Wall Microwave Shelf Cabinet 40"H</p> <p>WWC3040X12</p> 	<p>Matching Wall End Panel</p> <p>MWEP30L/R MWEP40L/R</p> 	<p>Wall Fluted Filler</p> <p>WFF640</p> 
<p>Wall End Open Shelf</p> <p>SQTB-WEOS630 R/L SQTB-WEOS640 R/L</p>  <p>- Left side is shown here - SQTB</p>	<p>Wall Filler</p> <p>FS30 FS42 FS642</p>  <p>- 3/4" Solid wood</p>	<p>Wall End Panel</p> <p>WSP40</p>  <p>- Laminate panel is 3/16" thick</p>	

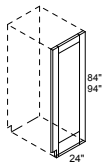
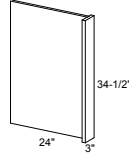
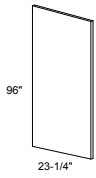

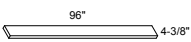
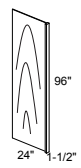
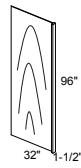
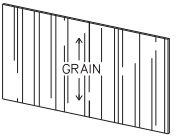
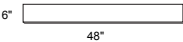
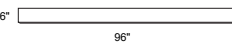
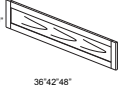
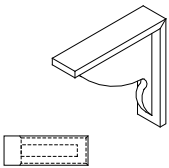
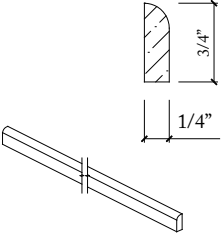
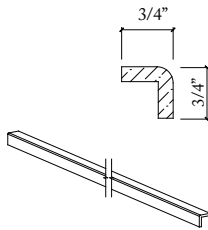
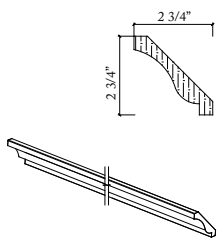
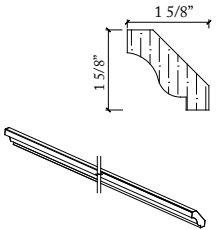
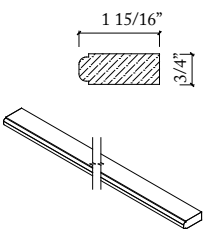
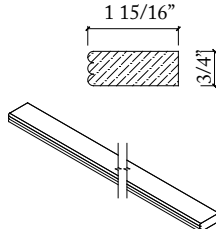
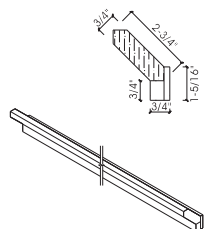
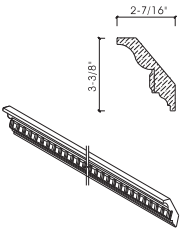
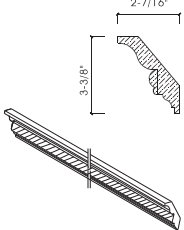
DESIGNER PLUS SERIES

<p>Base Single Doors w/Tray Divider B09</p>  <ul style="list-style-type: none"> - Full height doors - One full height tray divider - Doors are Left or Right reversible 	<p>Base Single Doors</p> <p>B12 B15 B18 B21</p>  <ul style="list-style-type: none"> - One adjustable, full depth shelf - Doors are Left or Right reversible 	<p>Base Double Door</p> <p>B24 B27 B30 B33</p>  <ul style="list-style-type: none"> - One adjustable, full depth shelf 	<p>Base Double Door Double Drawer</p> <p>B24 B27 B30 B36</p>  <ul style="list-style-type: none"> - Double drawer - One adjustable, full depth shelf
<p>Base Blind Corner</p> <p>BBC45-LR</p>  <ul style="list-style-type: none"> - Blind panel (stile) is 8" wide - Door is hinged from blind panel - Filler included - Door are Left or Right reversible 	<p>Base Three Drawer</p> <p>DB15 DB18 DB21 DB24 DB30</p>  <ul style="list-style-type: none"> - One standard drawer - Two deep drawers 	<p>Base Two Drawer Cabinet</p> <p>DB30-2</p> 	<p>Sink Base</p> <p>SB30 SB33 SB36</p>  <ul style="list-style-type: none"> - No shelf
<p>Sink Front Angle</p> <p>SFA-42BUTT</p>  <ul style="list-style-type: none"> - Door are Left or Right reversible 	<p>Corner Base with Lazy Susan</p> <p>DCB33 DCB36</p>  <ul style="list-style-type: none"> - Door are Left or Right reversible 	<p>Base Pantry Pullout 9"</p> <p>BPP09</p>  <ul style="list-style-type: none"> - Two fixed wood shelves attached to a full height door - Unit slide on full extension side mount glides 	<p>Base Wine Rack 6"</p> <p>BWR6</p>  <ul style="list-style-type: none"> - Five fixed shelves
<p>Base End Open Shelf Left</p> <p>BESL</p>  <ul style="list-style-type: none"> - Three fixed shelves 	<p>Base End Open Shelf Right</p> <p>BESR</p>  <ul style="list-style-type: none"> - Three fixed shelves 	<p>Base Filler</p> <p>BF3</p>  <ul style="list-style-type: none"> - Toe kick strip attached - 3/4" solid wood - Laminates are painted hardwood 	<p>Matching Base End Panel</p> <p>MBEP R/L</p> 
<p>Base End Panel</p> <p>BSP</p>  <ul style="list-style-type: none"> - Laminate panel is 3/16" thick 	<p>Roll-Out Trays</p> <p>B18ROT B24ROT B30ROT B36ROT</p> 	<p>Sample Door</p> <p>SD</p> 	

<p>Utility Cabinets 24"Deep</p> <p>84" Height WP1884 WP2484</p> <p>94" Height WP1894 WP2494</p>     <ul style="list-style-type: none"> - Includes adjustable shelves - 84" high - 4 shelf; 94" high - 5 shelves <p>(Doors are Left or Right reversible)</p>			
---	--	--	--

<p>Oven Cabinet-Double w/3"Stiles</p> <p>84" Height OVD3084</p> <ul style="list-style-type: none"> - Opening the MIN: 24" W x 39-5/8" H - Opening the MAX: 27" W x 47-3/8" H <p>94" Height OVD3094</p> <ul style="list-style-type: none"> - Opening the MIN: 24" W x 39-5/8" H - Opening the MAX: 27" W x 47-3/8" H  	<p>Oven Cabinet-Single w/3"Stiles</p> <p>84" Height OVS3084</p> <ul style="list-style-type: none"> - Opening the MIN: 24" W x 24-5/8" H - Opening the MAX: 27" W x 32-3/8" H <p>94" Height OVS3094</p> <ul style="list-style-type: none"> - Opening the MIN: 24" W x 24-5/8" H - Opening the MAX: 27" W x 32-3/8" H  
--	--

DESIGNER PLUS SERIES

<p>Matching Tall End Panel</p> <p>84" Height MTEP2484 R/L</p> <p>94" Height MTEP2494 R/L</p> <p>- Right shown - Toe kick strip attached</p> 	<p>Dishwasher Panel</p> <p>DWR3L/R</p> <p>- 1/2" thick Plywood - 3" Solid wood</p> 	<p>Tall Side Panel</p> <p>TSP</p> <p>- Laminate panel is 3/16" thick</p> 	<p>Tall Filler</p> <p>FS396</p> 
<p>Toe Kick</p> <p>TK8</p> <p>- Laminate panel is 3/16" thick</p> 	<p>Refrigerator Panel</p> <p>RR96</p> <p>- Laminate panel is 1/2" thick - 1-1/2" Solid wood</p> 	<p>Refrigerator Panel 96" x 32"</p> <p>RR96*32</p> <p>- Laminate panel is 1/2" thick - 1-1/2" Solid wood</p> 	<p>Finishing Panel-48"x96"x1/4"</p> <p>FP489625</p> <p>- Laminate panel is 1/4" thick</p> 
<p>Valance Tradition</p> <p>V48T</p> <p>- 3/4" Solid wood</p> 	<p>Valance Tradition</p> <p>V96T</p> <p>- 3/4" Solid wood</p> 	<p>Matching Built-In Refrigerator Wall Panel</p> <p>MBRWP36 (35-1/2"W X 9"H) MBRWP42 (41-1/2"W X 9"H) MBRWP48 (47-1/2"W X 9"H)</p> <p>- MBRWP-Matching Door Panel - Front Matching Panel Only - Customize built frame required for mounting</p> 	
<p>Shelf Support Bracket</p> <p>SSB.S</p> <p>- Solid wood</p> 	<p>Scribe Molding</p> <p>SCM8</p> <p>- Solid wood</p> 	<p>Outside Corner Molding</p> <p>OCM8WD</p> <p>- Solid wood</p> 	<p>Crown Molding 2-3/4"</p> <p>CM 2-3/4</p> <p>- Solid wood</p> 
<p>Crown Molding 1-5/8"</p> <p>CM 1-5/8</p> <p>- Solid wood</p> 	<p>Single Bead Molding</p> <p>SBM8</p> <p>- Solid wood</p> 	<p>Triple Bead Molding</p> <p>TBM8</p> <p>- Solid wood</p> 	<p>Angle Crown Molding</p> <p>ACM8</p> <p>- Solid wood</p> 
<p>Classic Crown and Dentil Molding</p> <p>CCM8+DN8</p> <p>- Solid wood</p> 	<p>Classic Crown and Rope Molding</p> <p>CCM8+DM8</p> <p>- Solid wood</p> 	<p>Traditional Light Rail</p> <p>TLR8</p> <p>- Solid wood</p> 