

Dual-Fuel Freestanding Ranges

EW30DF65G S, EW30DF65G W, EW30DF65G B

Featuring Wave-Touch™ Electronic Controls



Min-2-Max™ Burner

Designed with a dual-flame sealed burner, this cooktop offers the widest range of BTU performance in the industry for the utmost versatility – from a roaring 18,000-BTU boil to a gentle 450-BTU simmer.



Sure-2-Fit™ Convection Oven with Hidden Bake Element

Adjustable Luxury-Glide™ oven racks are so smooth and extend effortlessly. Luxury-Design™ Lighting ramp-up designer halogen lighting is as beautiful as it is functional. Exclusive Luxury-Hold™ oven door stays put at whatever angle you place it.



Baking Options

Features 7 cooking modes and 10 cooking options including our exclusive Perfect Turkey™ button for large holiday meals. Perfect Convection3™ Third Element European Convection System features a variable 2-speed fan for more even cooking.



Perfect Pair™ Oven

Our ranges feature a large main oven and a second oven for the utmost cooking capacity. Use both simultaneously to cook two different items at two different temperatures.

30" DUAL-FUEL FREESTANDING RANGES

Sabbath Mode (Star-K® Certified)	Yes
----------------------------------	-----

Control Panel Features

Wave-Touch™ Electronic Oven Control	Yes
Professional-Grade Burner Controls	Yes
Glass Front Display	Yes
Electronic Clock & Timer	Yes
Temperature Display	Yes
Automatic Oven (Delay, Cook & Off)	Yes

Cooktop Features

Min-2-Max™ Dual-Flame Sealed Burner – 18,000 - 450 BTU	1
Sealed Power Burner – 14,000 BTU	1
Sealed Precision Burner – 9,500 BTU	2
Sealed Precision Burner – 5,000 - 850 BTU	1
Linear Flow Burner Valves	Yes
Seamless Cooktop	Yes
Continuous Grates with Deep-Well Top	3
Electric Pilotless Ignition	Yes

Oven Features

Capacity	5.5 Cu. Ft.
Hidden Bake Element	Yes
Eight-Pass Bake Element – 3000 Watts	Yes
Eight-Pass Broil Element – 4000 Watts	Yes
Convection Element – 2500 Watts	Yes
Cobalt Blue Interior	Yes
Self-Clean Options with Door Lock	Yes
Perfect Convection3™ with Variable 2-Speed Fan	Yes
Cooking Modes – Bake, Broil, Convection Bake, Convection Roast, Convection Broil, Keep Warm, Slow Cook	7
Cooking Options – Perfect Turkey™, Defrost, Dehydrate, Bread Proof, My Favorites, Multi-Stage Cooking, Temperature Probe, Rapid Preheat, Delay Bake, Convection Convert	10
Luxury-Design™ Lighting with Dual 40W Halogen Bulbs	Yes
Luxury-Glide™ Racks	2
Conventional Racks	1
Convection Roasting Rack	Yes

Additional Features

Signature Soft-Arc Oven Door and Handle Design	Yes
Luxury-Hold™ Oven Door	Yes
Extra-Large Glass Window	Yes
Perfect Pair™ Lower Oven	Yes
Fully Extendable Drawer Glides	Yes
Adjustable Leveling Legs	Yes

Accessories

Porcelain Broiler Pan and Insert	Included
Grill/Griddle	Included
Wok Ring – 318254307	Optional
Simmer Plate – 318254206	Optional

Specifications

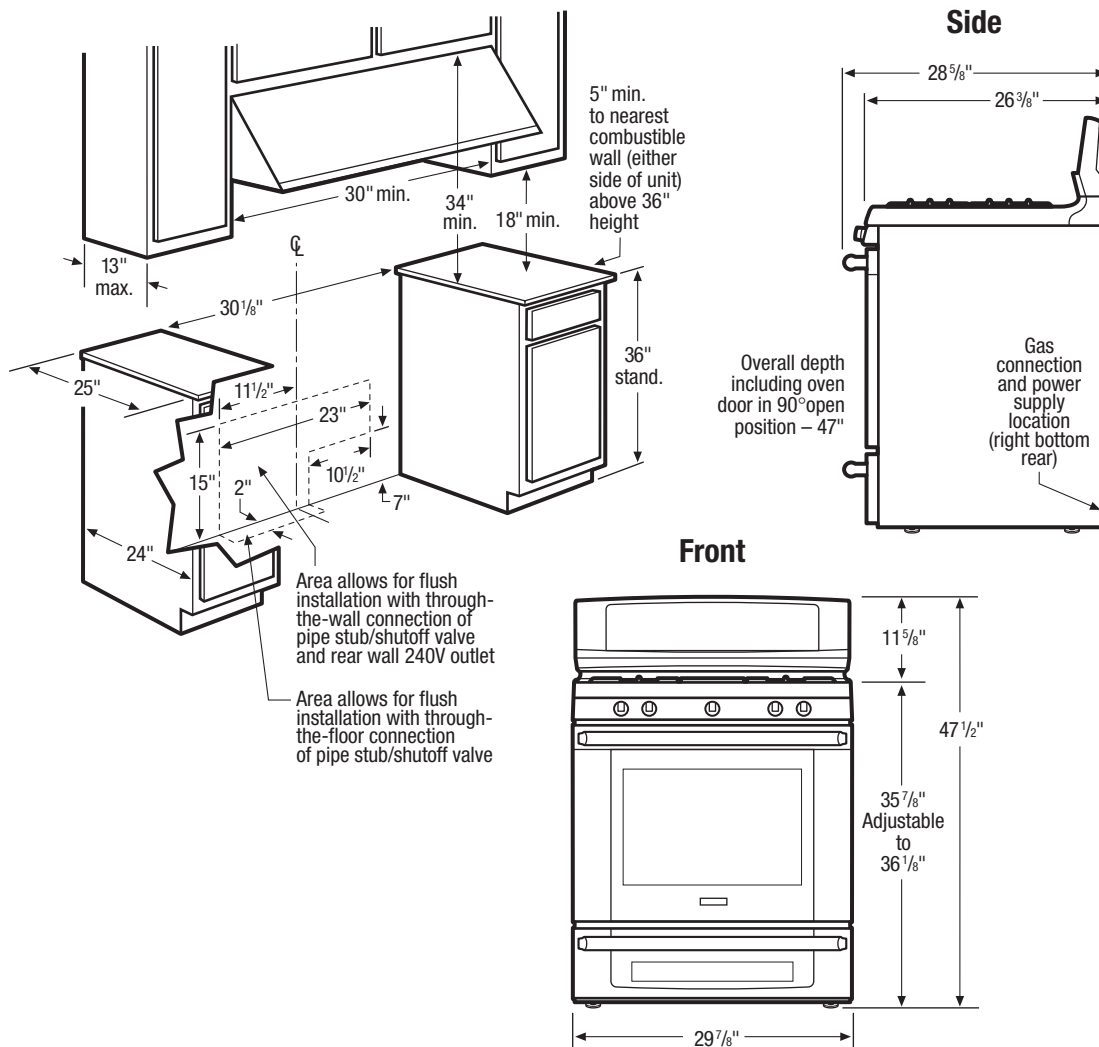
Oven Cavity Dimensions –	
Height	19-7/8"
Width	24-13/32"
Depth	19-1/2"
Overall Exterior Dimensions –	
Height	47-1/2"
Width	29-7/8"
Depth (to Center of Arc) (with 90° Door Open)	26-27/32" 47"
Gas/Power Supply Connection Location	Right Bottom Rear
Voltage Rating	240V/60Hz/50A
Connected Load (kW Rating) @ 240 Volts	4.4
Product Weight	260 Lbs.
Shipping Weight (Approx.)	300 Lbs.

NOTE: Always consult local and/or national electric and gas codes. Refer to Product Installation Guide for detailed installation instructions on the web at www.electroluxappliances.com. Specifications subject to change.

Dual-Fuel Freestanding Ranges

EW30DF65G S, EW30DF65G W, EW30DF65G B

Electrolux



30" Dual-Fuel Freestanding Range Specifications

- Product Weight – 260 Lbs.
- Electrical Requirements – 240 Volts AC, 4-wire, 60 Hertz, 50 Amps Dedicated Circuit
- Connected Load (kW Rating) @ 240 Volts = 4.4kW
- Amps @ 240 Volts = 18.3 Amps
- Always consult local and/or national electric and gas codes.
- Range ships with 3/4" factory regulator.
- Range is NOT Lp convertible — for Lp-only models see EW3LDF65GS, EW3LDF65GW and EW3LDF65GB.
- Overhead cabinetry should not exceed a 13" maximum depth.
- Allow 30" minimum clearance between top of rangetop and bottom of unprotected wood or metal overhead cabinetry.
- Absolute minimum horizontal distance between overhead cabinets installed to either side of appliance must be no less than maximum width of appliance.

- Allow 24" minimum clearance when bottom of wood or metal overhead cabinet is protected by not less than 1/8" flame-retardant millboard covered with not less than No. 28 MGS sheet steel, 0.015" stainless steel, 0.024" aluminum or 0.020" copper.
- Allow 5" minimum clearance from edge of rangetop to nearest combustible wall on either side of unit.
- To reduce risk of fire when using overhead cabinetry, install range hood that projects horizontally a recommended minimum of 5" beyond bottom of cabinets.

Note: For planning purposes only. Refer to Product Installation Guide on the web at electroluxappliances.com for detailed instructions.

Optional Accessories

- Wok Ring – (318254307).
- Simmer Plate – (318254206).

The Electrolux Group

USA • 250 Bobby Jones Expressway • Augusta, GA 30907 • 1-877-4electrolux (1-877-435-3287) • electroluxappliances.com
CANADA • 5855 Terry Fox Way • Mississauga, ON L5V 3E4 • 1-800-265-8352 • electroluxappliances.ca

EW30DF65G 01/08

© 2008 Electrolux Major Appliances, NA



High standards of quality at Electrolux Major Appliances mean we are constantly working to improve our products. We reserve the right to change specifications or discontinue models without notice.

Printed in the U.S.A.