

# ASSEMBLY INSTRUCTIONS

## BASE CABINET (B09)

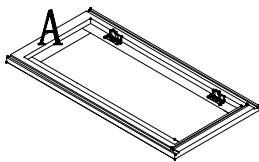
### CABINET PARTS LIST

A-Door & Face Frame B-Side Panels(2) C-Shel f D-Bottom Panel  
E-Back Panel H-Toe Kick

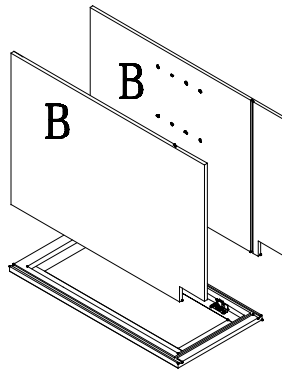
### HARDWARE PARTS LIST

1. Shelf Clips (4) 2. Corner Braces(4) 3. Screws(Ø3.5\*25-4) 4. Screws(Ø3\*12-8)

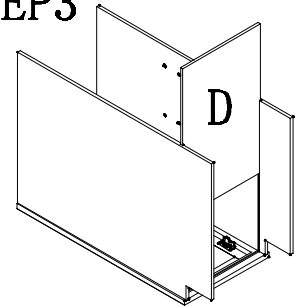
STEP1



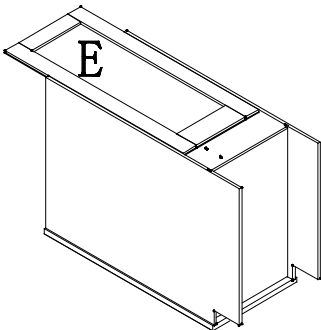
STEP2



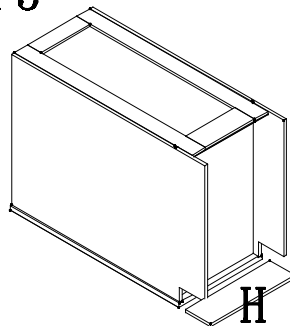
STEP3



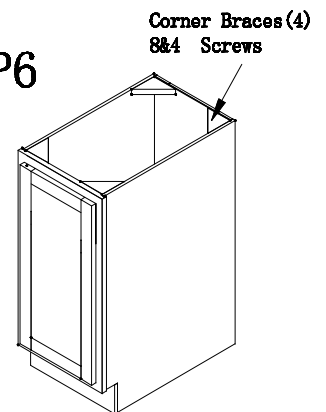
STEP4



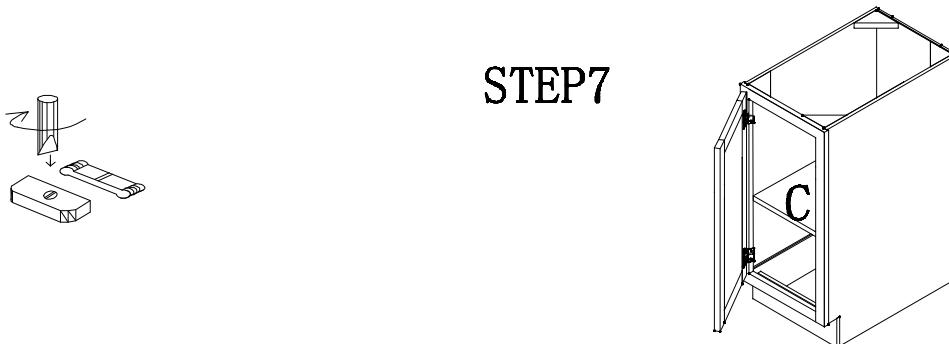
STEP5



STEP6



STEP7



Your cabinet is complete. For installation, consult a professional contractor or building supplier for the proper installation method or materials to be used for your existing wall condition (e.g., wood, concrete, tile, etc.).