

ASSEMBLY INSTRUCTIONS

DRAWER BASE CABINET (DB12,DB15,DB18,DB24,DB30)

CABINET PARTS LIST

A- Face Frame B-End Panels(2) D-Bottom Panel E-Back Panel
H-Toe Kick G-Drawer Parts(3)

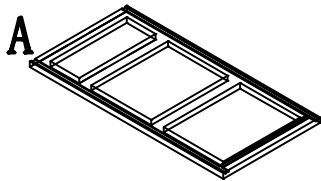
DRAWER PARTS LIST

a-Front(3) b-Sides(6) c-Bottom(3) d-Back(3) e-Drawer Slides(3 pr) f-Screws(Ø3*30-24)

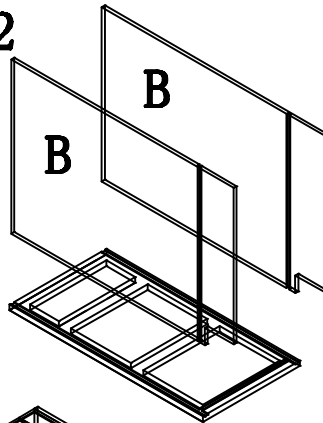
HARDWARE PARTS LIST

1. Corner Braces(4) 2. Screws(Ø3.5*25-4) 3. Screws(Ø3*12-8) 4. Screws(Ø3*10-6)

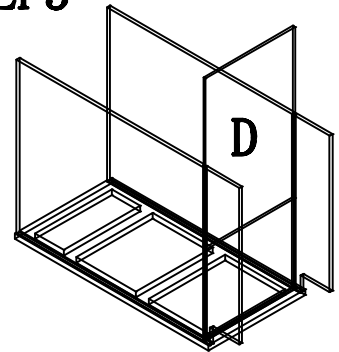
STEP1



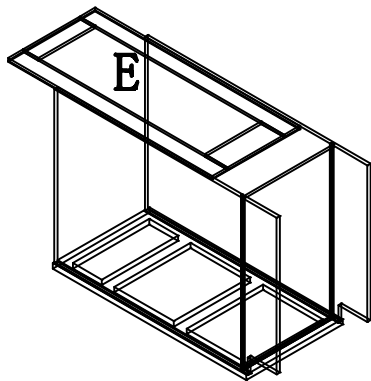
STEP2



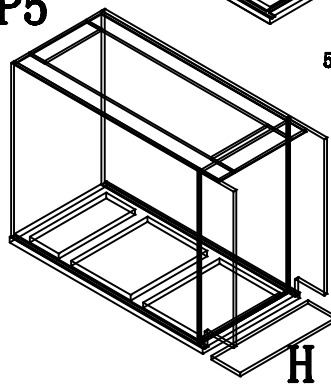
STEP3



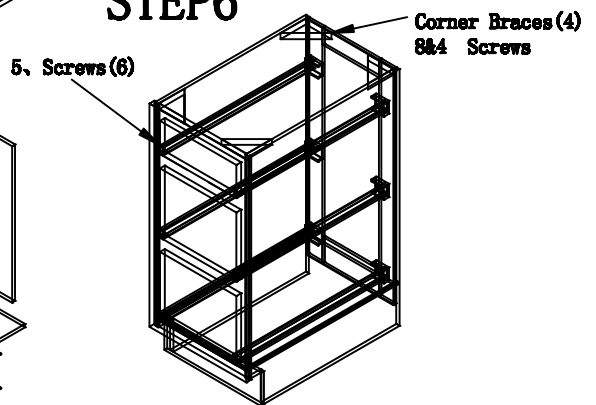
STEP4



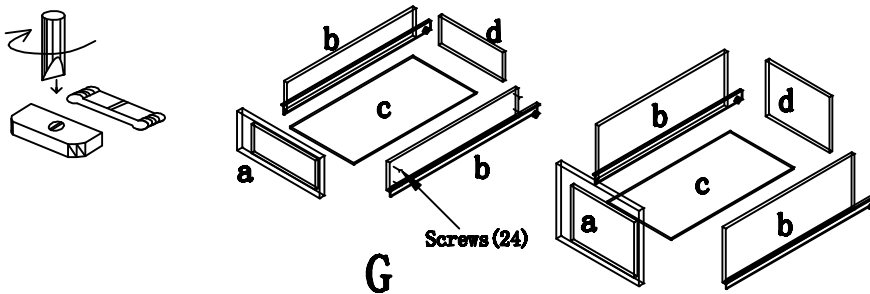
STEP5



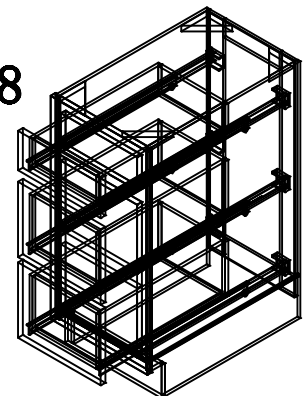
STEP6



STEP7



STEP8



Your cabinet is complete. For installation, consult a professional contractor or building supplier for the proper installation method or materials to be used for your existing wall condition (e.g., wood, concrete, tile, etc.).