

# ASSEMBLY INSTRUCTIONS

## OVEN CABINET ( OVS3084 )

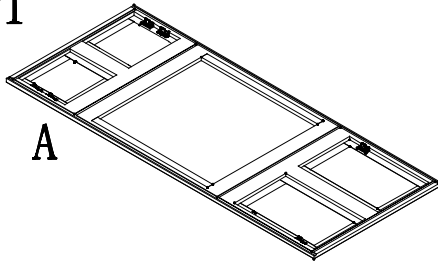
### CABINET PARTS LIST

**A-Doors & Face Frame B-End Panels(2) C-Shelf D-Top/Medium/Bottom Panels(4)  
E-Back Panel H-Toe Kick**

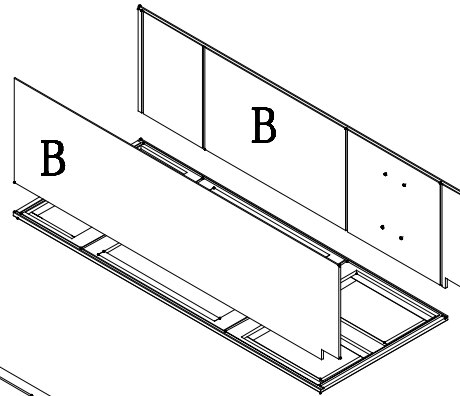
### HARDWARE PARTS LIST

#### 1. Shelf Clips (4)

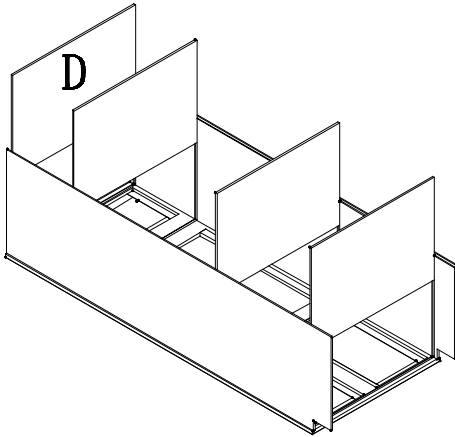
STEP1



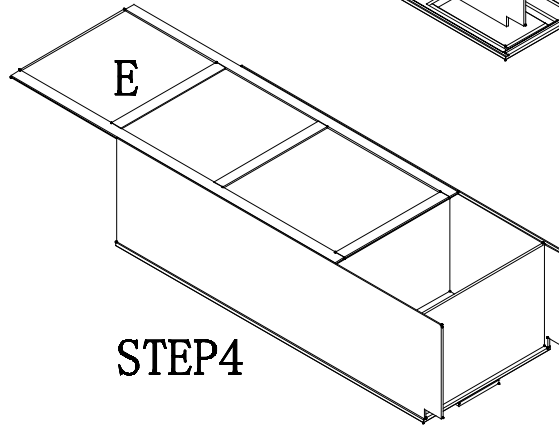
STEP2



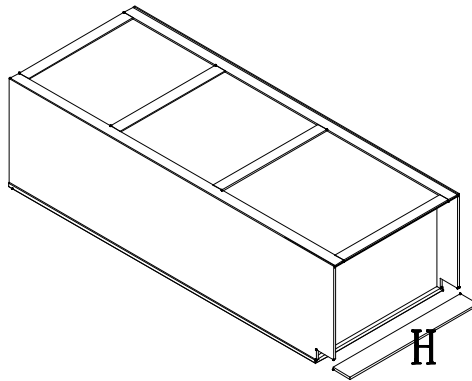
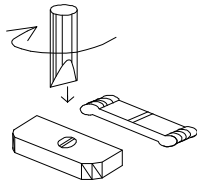
STEP3



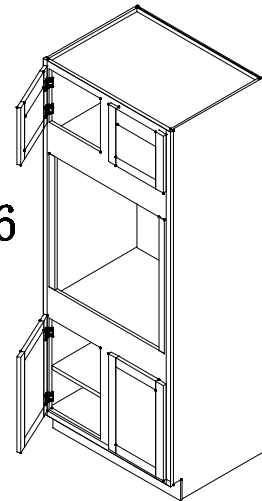
STEP4



STEP5



STEP6



Your cabinet is complete. For installation, consult a professional contractor or building supplier for the proper installation method or materials to be used for your existing wall condition (e.g., wood, concrete, tile, etc.).