

# ASSEMBLY INSTRUCTIONS

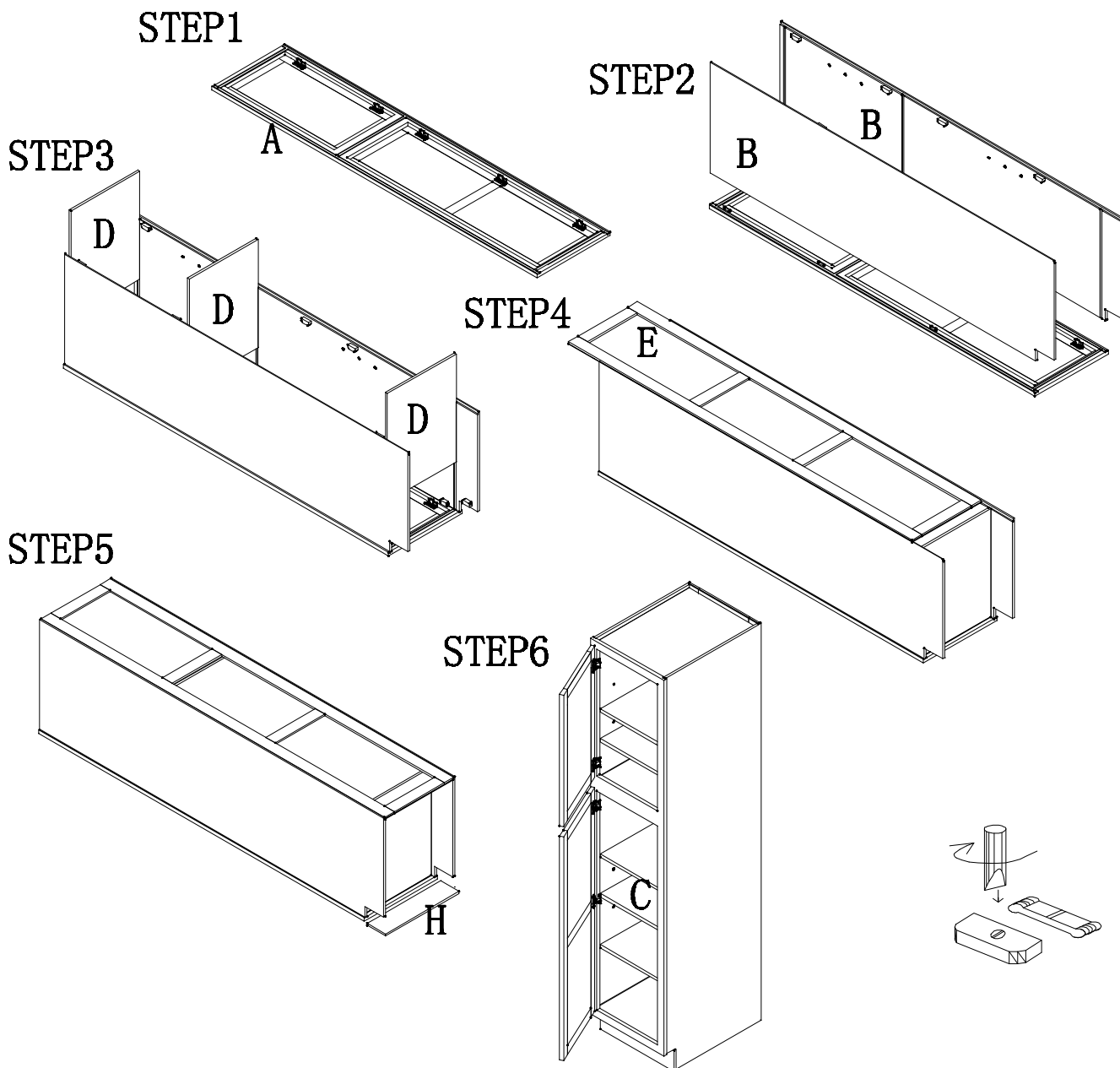
## PANTRY CABINET (WP1894)

### CABINET PARTS LIST

A-Doors & Face Frame B-End Panels(2) C-Shelves(5) D-Top/Medium/Bottom Panels(3)  
E-Back Panel H-Toe Kick

### HARDWARE PARTS LIST

1. Shelf Clips(20)



Your cabinet is complete. For installation, consult a professional contractor or building supplier for the proper installation method or materials to be used for your existing wall condition (e.g., wood, concrete, tile, etc.).