

# ASSEMBLY INSTRUCTIONS

## BASE END OPEN CABINET

Part	Descriptions	Qty	Part	Description	Qty	Part	Description	Qty
<b>A</b>	Side Panel	1	<b>D</b>	Side Panel	1	<b>G</b>	L-Shaped Steel	3
<b>B</b>	Bottom And Shelf	3	<b>E</b>	Toe Kick	1	<b>H</b>	Screw $\phi 3.5 \times 12$	12
<b>C</b>	Screw $\phi 3.5 \times 30$	15	<b>F</b>	Toe Kick	1			

This instructions applies to the following items: **BESL, BESR.**

STEP 1: Slide-in the Sides to the Frame.

STEP 2: Slide-in the Top and Bottom.

STEP 3: Slide-in the Back to the Cabinet Box.

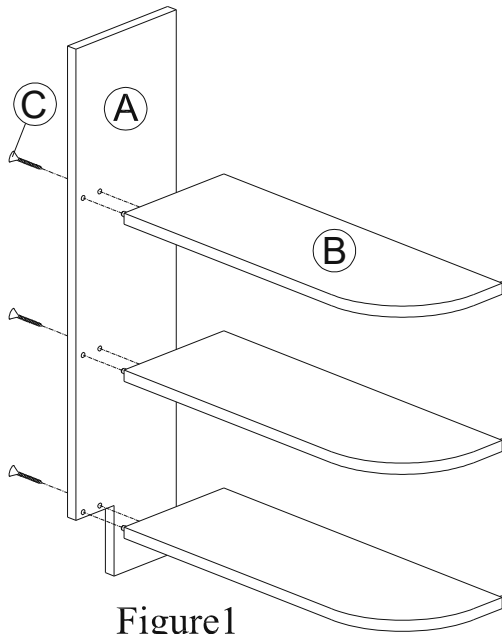


Figure1

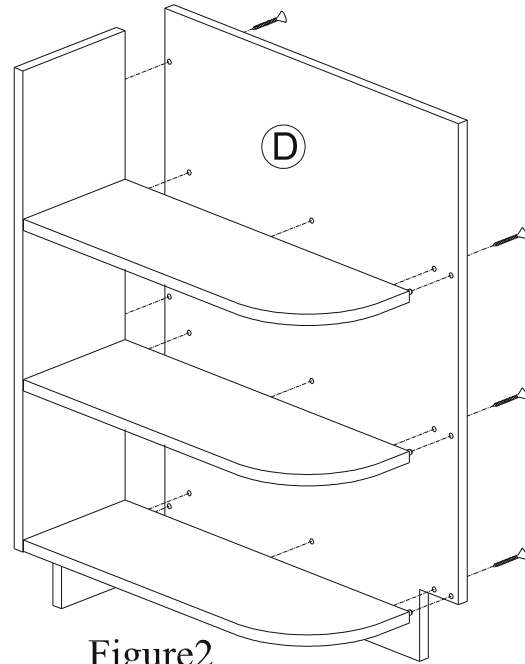


Figure2

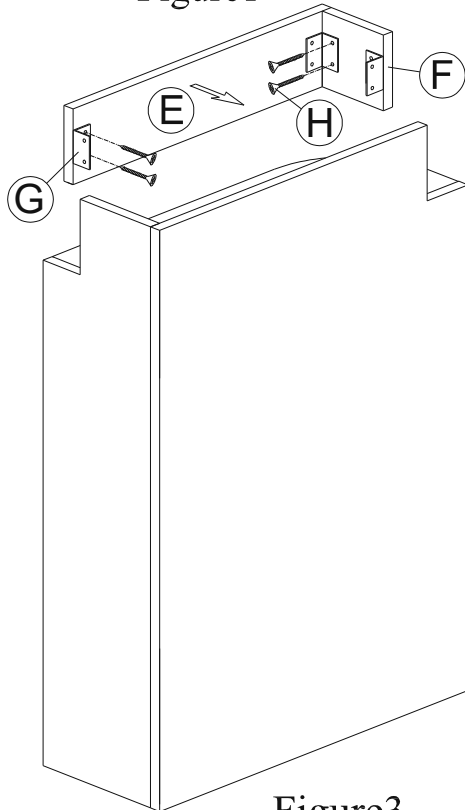


Figure3

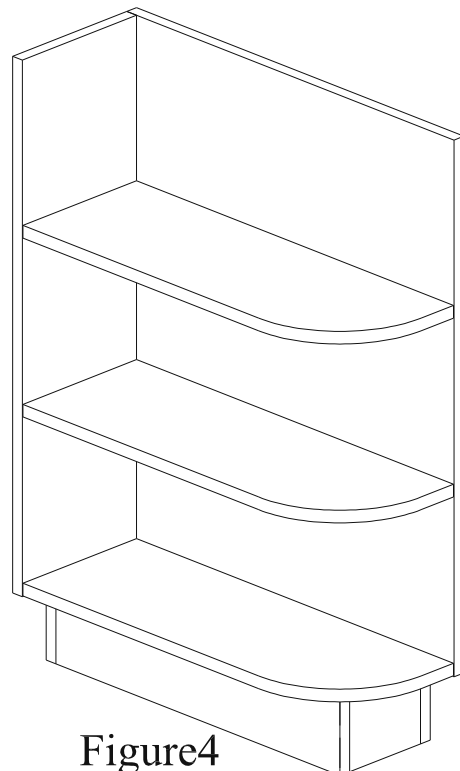


Figure4