


ASSEMBLY INSTRUCTIONS

SINK BASE CABINET

Part	Descriptions	Qty	Part	Description	Qty	Part	Description	Qty
A	Face-frame with Door	1	E	Back Panel	1	I	L-Shaped Steel	2
B	Side Panel	2	F	Toe Kick	1	J	Screw $\phi 3.5 \times 12$	24
C	Bottom Panel	1	G	Screw $\phi 3.5 \times 25$	4	K	Corner Brace	0
D	Rail	0	H	L-Shaped Steel	8			

This instructions applies to the following items: **CNTYSB30~CNTYSB36**.

 ****Optional to add glue, it's helpful to add strength**** (wood glue not included)

STEP 1: Slide-in the Sides to the Frame.

STEP 2: Slide-in the Top and Bottom.

STEP 3: Slide-in the Back to the Cabinet Box.

STEP 4: Secure the Corners of the Box by using the L-Shaped Steel.

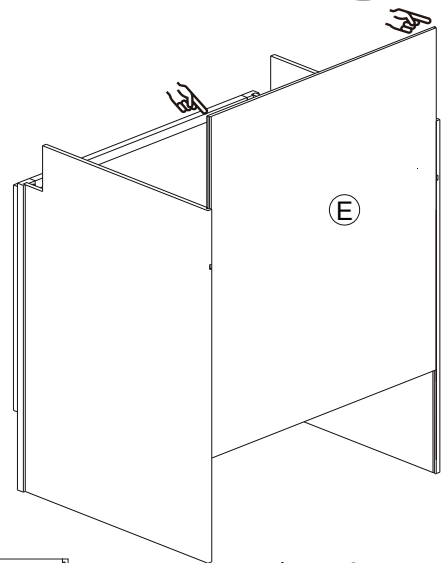
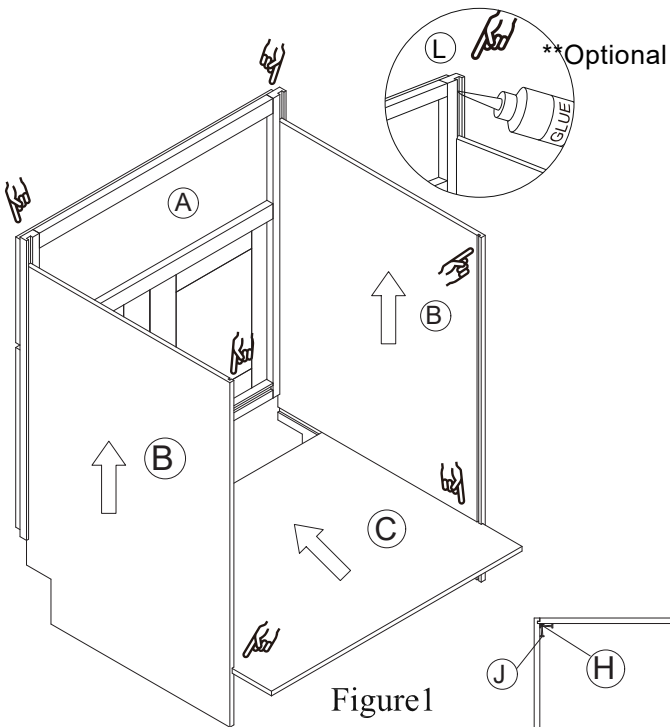
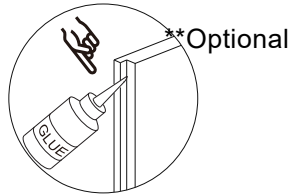


Figure2

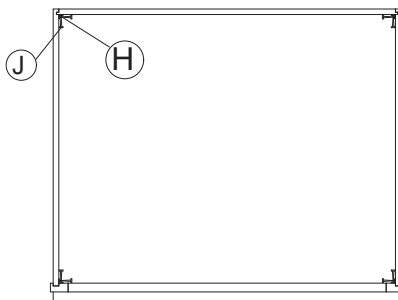


Figure4

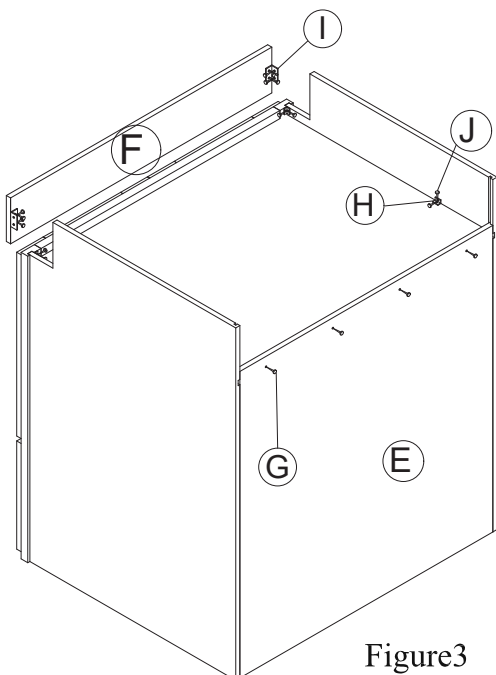


Figure3

