

# ASSEMBLY INSTRUCTIONS

## BASE CABINET (B09,B12,B15,B18,B21)

### CABINET PARTS LIST

A-Door & Face Frame B-Side Panels(2) C-Shel f D-Bottom Panel  
E-Back Panel H-Toe Kick G-Drawer Parts

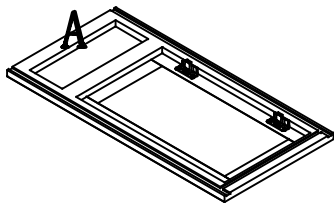
### DRAWER PARTS LIST

a-Front b-Sides(2) c-Bottom d-Back e-Drawer Slides(1 pr) f-Screws( Ø3\*30-8)

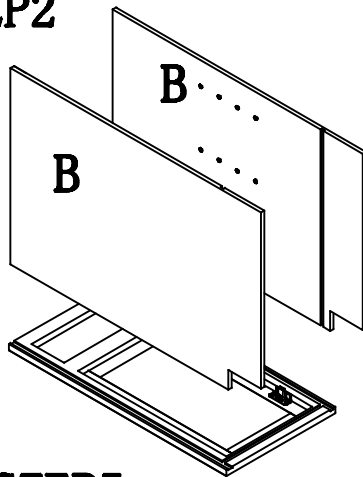
### HARDWARE PARTS LIST

1. Shelf Clips (4) 2. Corner Braces(4) 3. Screws(Ø3.5\*25-4) 4. Screws(Ø3\*12-8)  
5. Screws(Ø3\*10-2)

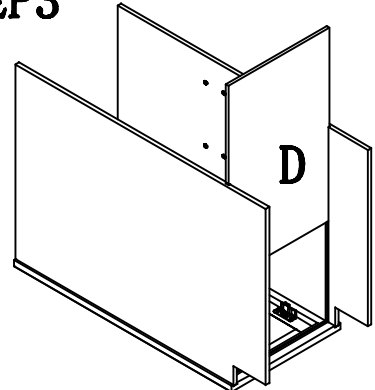
STEP1



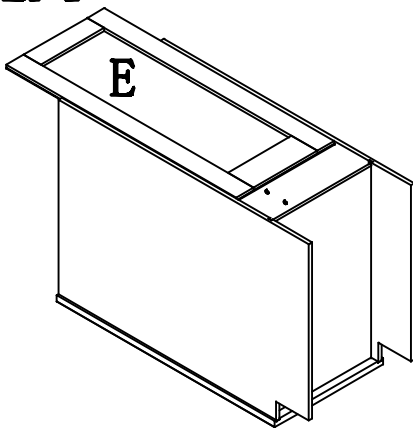
STEP2



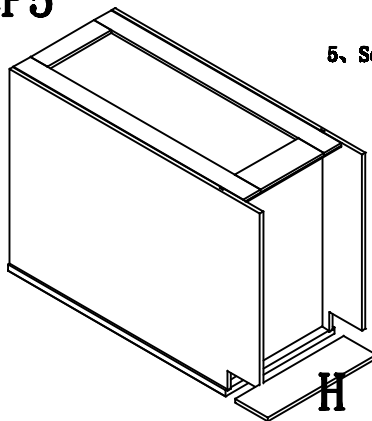
STEP3



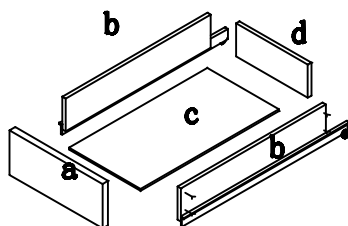
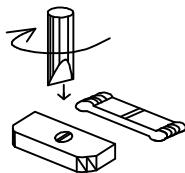
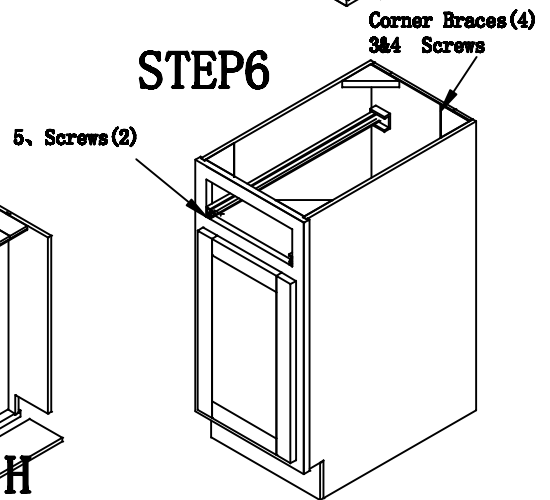
STEP4



STEP5



STEP6



G

STEP8

