

ASSEMBLY INSTRUCTIONS

BASE CABINET (B24,B27,B30)

CABINET PARTS LIST

A-Doors & Face Frame B-End Panels(2) C-Shelf D-Bottom Panel
E-Back Panel H-Toe Kick G-Drawer Parts

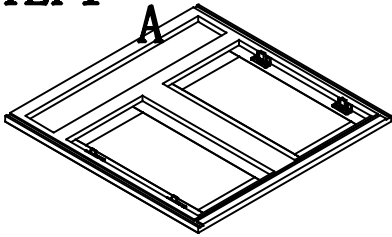
Drawer PARTS LIST

a-Front b-Sides(2) c-Bottom d-Back e-Drawer Slides(1 pr) f-Screws(Ø3*30-8)

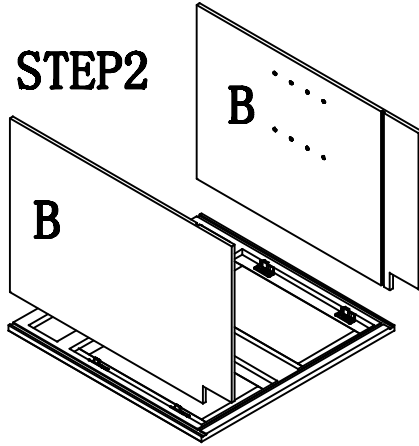
HARDWARE PARTS LIST

1. Shelf Clips (4) 2. Corner Braces(4) 3. Screws(Ø3.5*25-4) 4. Screws(Ø3*12-8)
5. Screws(Ø3*10-2)

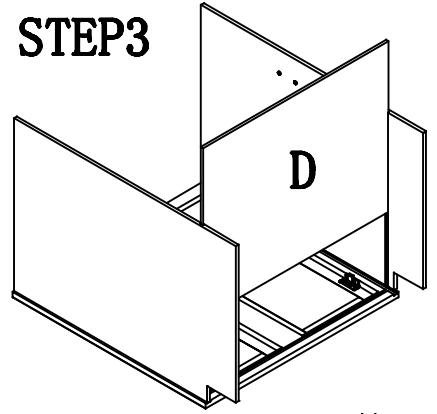
STEP1



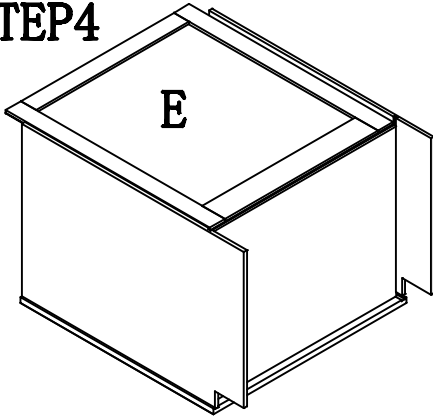
STEP2



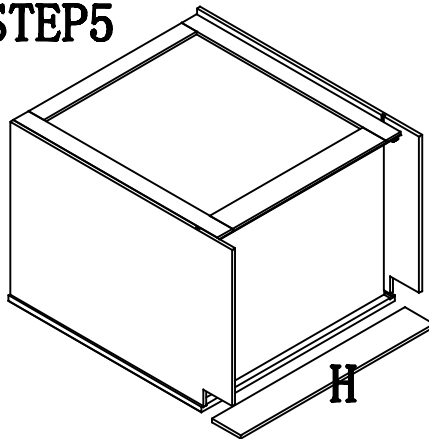
STEP3



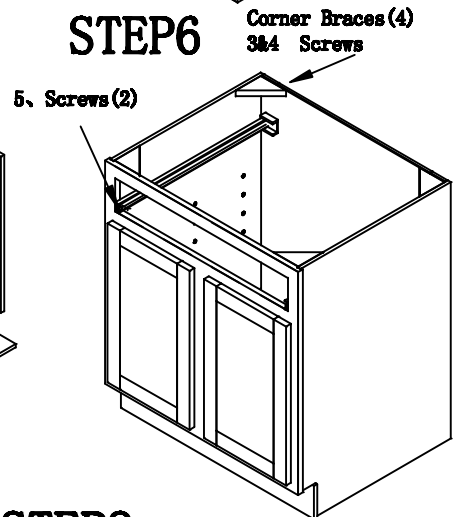
STEP4



STEP5



STEP6



STEP8

