

# ASSEMBLY INSTRUCTIONS

## SINK BASE CABINET (~~SB24, SB27~~, SB30)

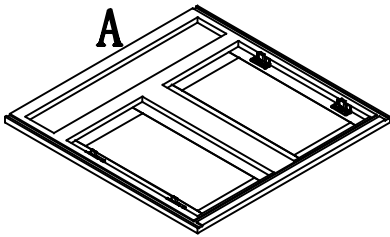
### CABINET PARTS LIST

A-Doors & Face Frame B-End Panels(2) D-Bottom Panel E-Top Back Brace  
F-Bottom Back Brace H-Toe Kick

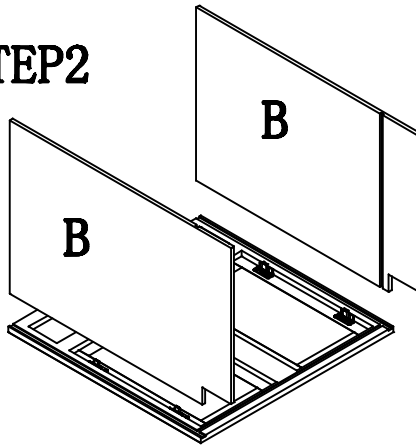
### HARDWARE PARTS LIST

1. Corner Braces(4) 2. Screws(Ø3.5\*25-4) 3. Screws(Ø3\*12-8)

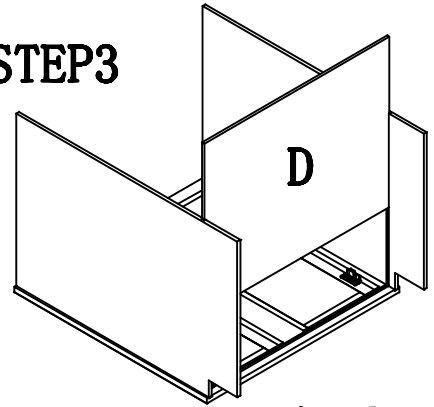
STEP1



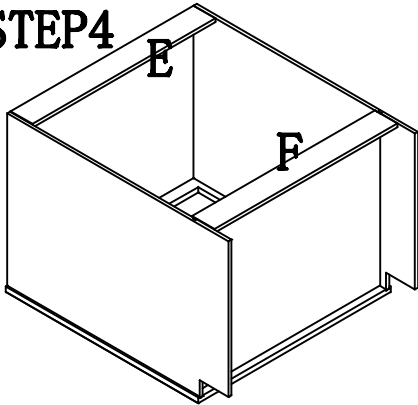
STEP2



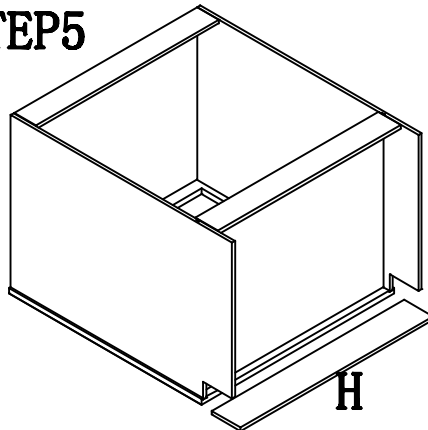
STEP3



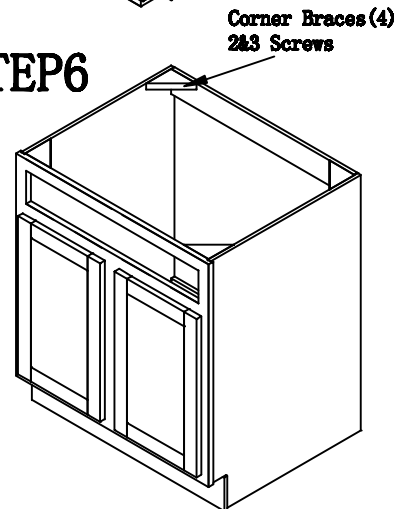
STEP4



STEP5



STEP6



STEP7

