

ASSEMBLY INSTRUCTIONS

WALL CABINET (W0930, W1230, W1530, W1830, W2130)

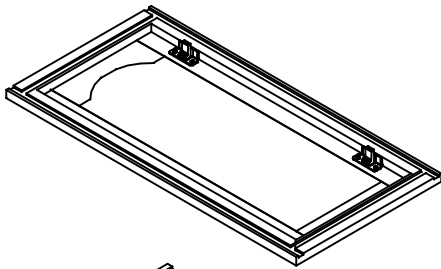
CABINET PARTS LIST

**A-Door & Face Frame B-End Panels(2) C-Shelves(2) D-Bottom Panel & D-Top Panel
E-Back Panel**

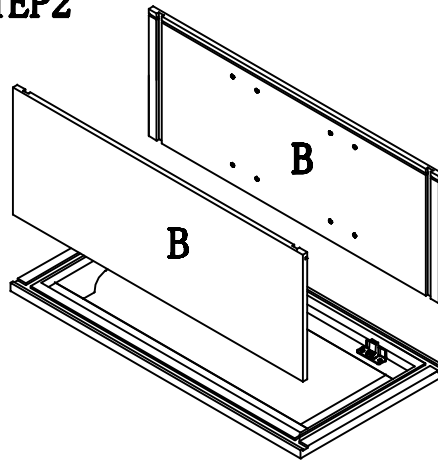
HARDWARE PARTS LIST

1. Shelf Clips (8) 2. Screws (Ø3.5*25-4)

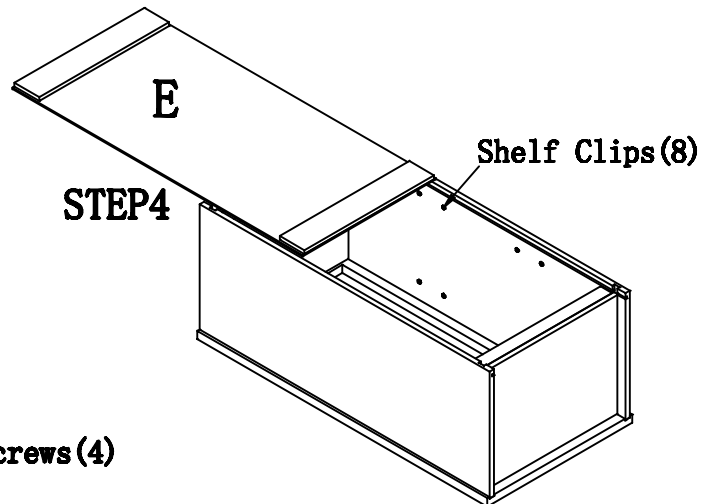
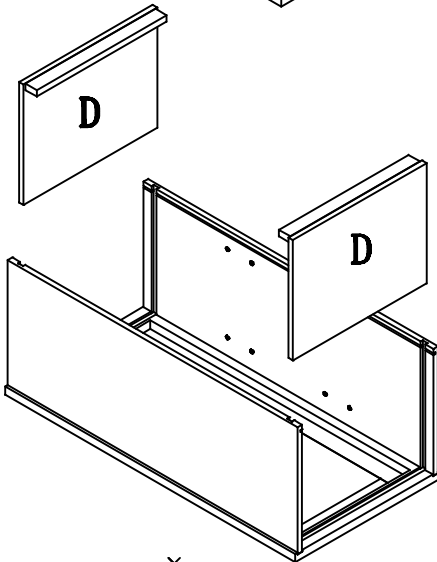
STEP1



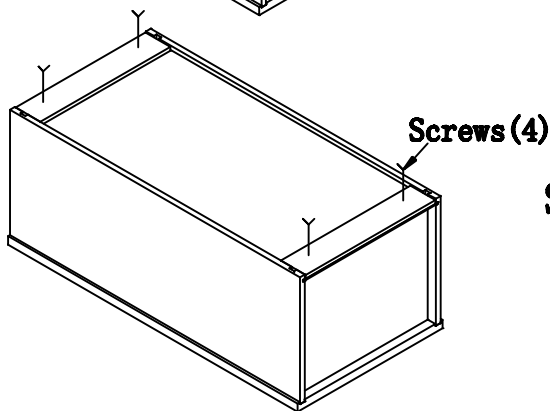
STEP2



STEP3



STEP5



STEP6

