

# ASSEMBLY INSTRUCTIONS

## WALL CABINET (W0942,W1242,W1542,W1842,W2142)

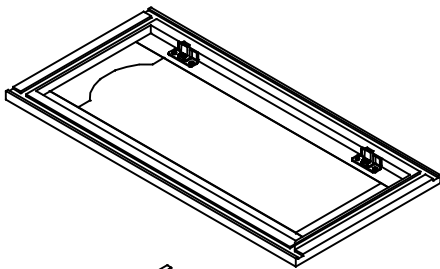
### CABINET PARTS LIST

**A-Door & Face Frame B-End Panels(2) C-Shelves(3) D-Bottom Panel & D-Top Panel  
E-Back Panel**

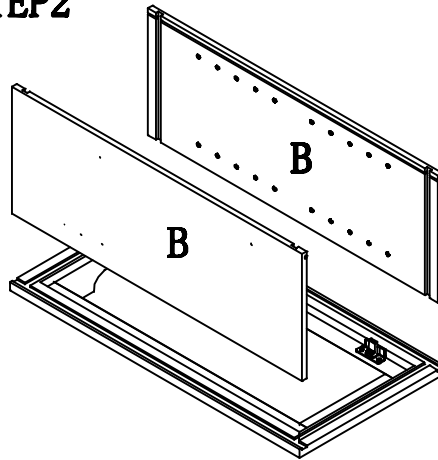
### HARDWARE PARTS LIST

**1. Shelf Clips (12) 2. Screws (Ø3.5\*25-4)**

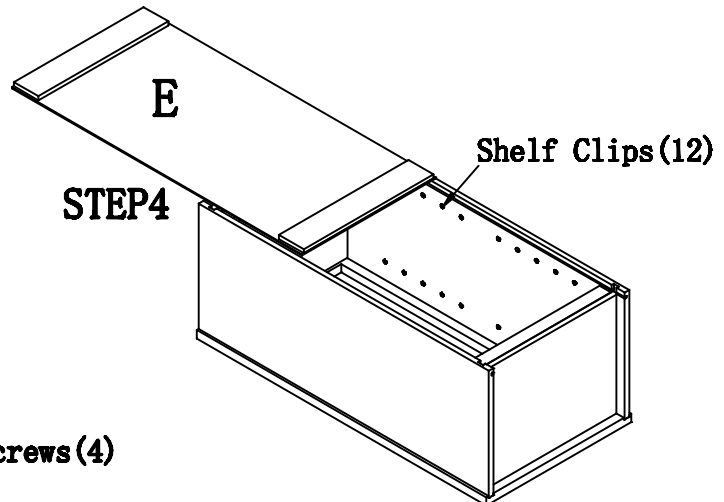
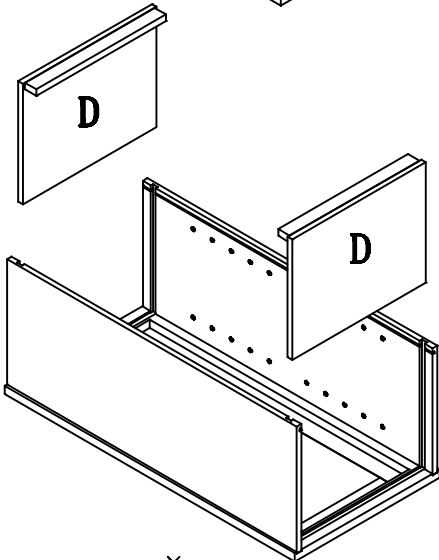
STEP1



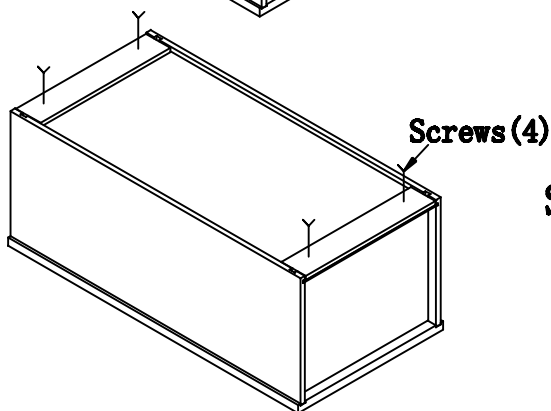
STEP2



STEP3



STEP5



STEP6

