

ASSEMBLY INSTRUCTIONS

WALL BLIND CABINET (~~WBC2430, WBC2730~~) (~~WBC3030, WBC3330, WBC3630~~)

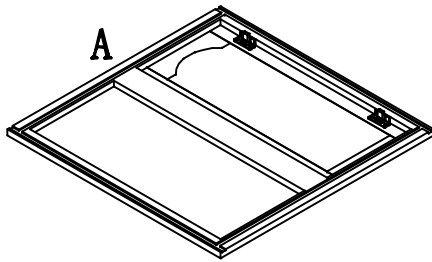
CABINET PARTS LIST

**A-Door& Face Frame B-End Panels (2) C-Shelves(2) D-Bottom Panel & Top Panel
E-Back Panel I-Optional Fillers & Large Face Board**

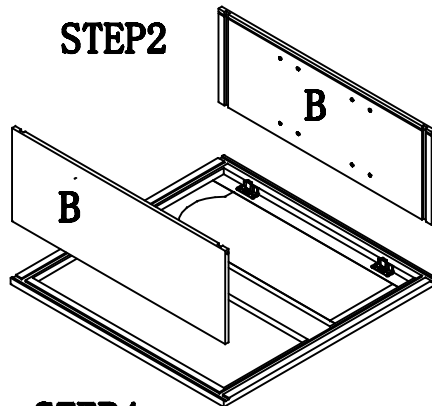
HARDWARE PARTS LIST

1、 Shelf Clips(8) 2、 Screws (Ø3.5*25) 6 or 8 3、 Screws (Ø3*12-12)

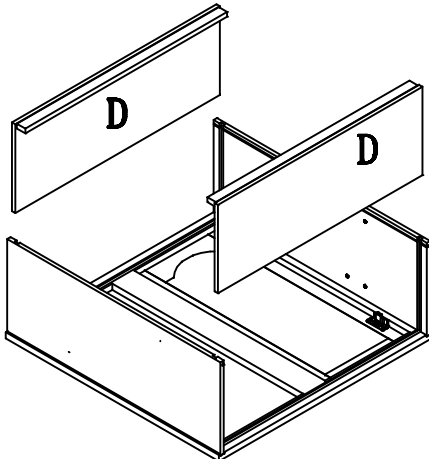
STEP1



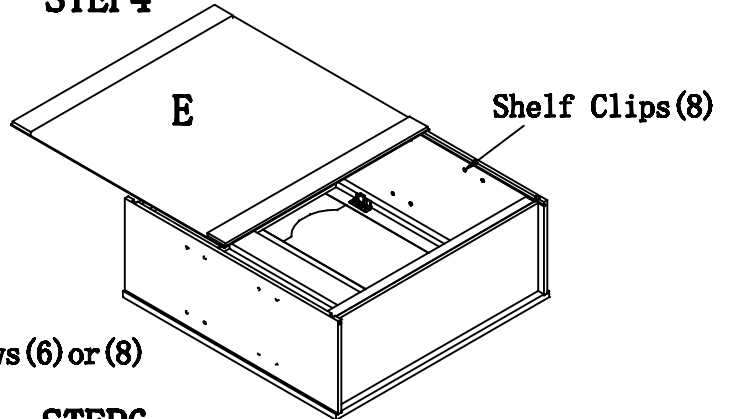
STEP2



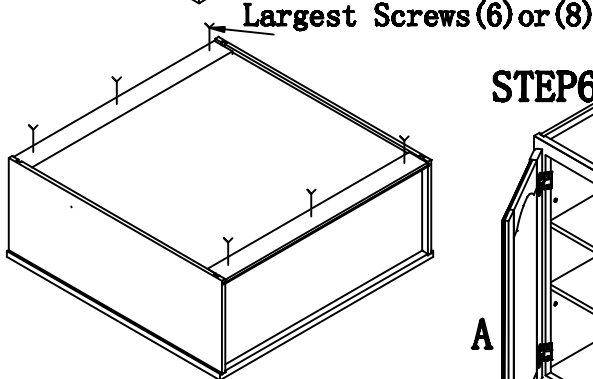
STEP3



STEP4



STEP5



STEP6

