

ASSEMBLY INSTRUCTIONS

WALL BLIND CABINET (~~WBC2442, WBC2742~~)

(~~WBC3042, WBC3342, WBC3642~~)

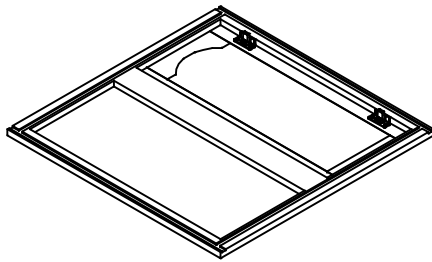
CABINET PARTS LIST

A-Door& Face Frame B-End Panels (2) C-Shelves(3) D-Bottom Panel & Top Panel
E-Back Panel I-Optional Fillers & Large Face Board

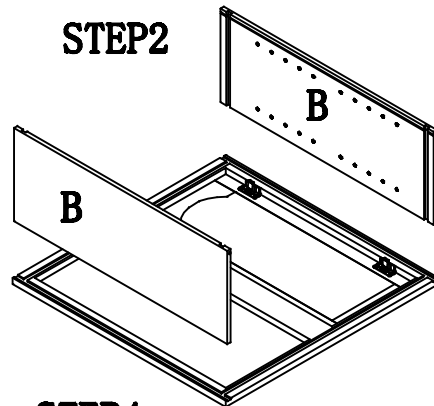
HARDWARE PARTS LIST

1. Shelf Clips (12) 2. Screws (Ø3.5*25) 6 or 8 3. Screws (Ø3*12-12)

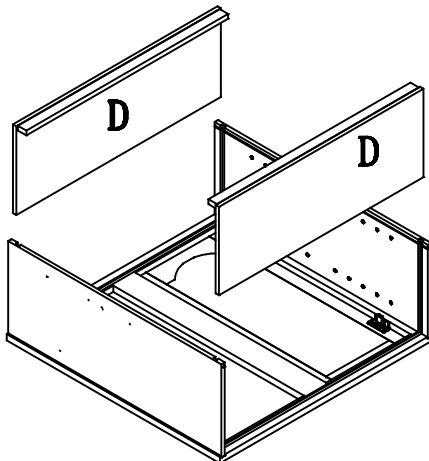
STEP1



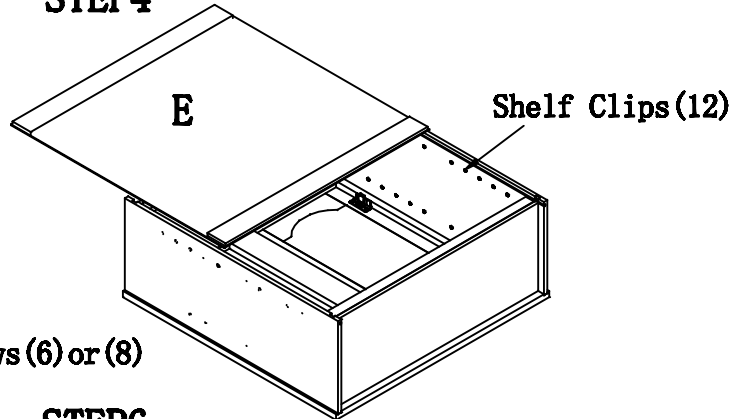
STEP2



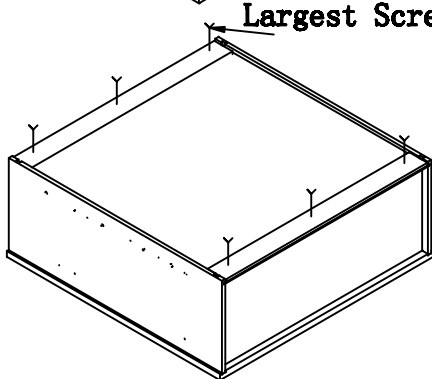
STEP3



STEP4



STEP5



STEP6

