

### Features

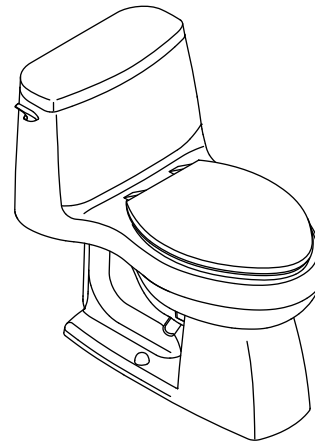
- Vitreous china
- Elongated bowl
- Class Five® flushing system
- One-piece
- Includes polished chrome trip lever, seat and cover
- Less supply
- 12" (305 mm) rough-in
- 1.28 gpf (4.8 lpf)
- 2-1/8" (54 mm) glazed trapway
- 11" (279 mm) x 8-1/8" (206 mm) water area
- 27-3/4" (705 mm) x 18-3/4" (476 mm) x 28-3/16" (716 mm)

### COMFORT HEIGHT® COMPACT TOILET K-3810

ADA

CSA B651

OBC



### Codes/Standards Applicable

Specified model meets or exceeds the following:

- ADA
- ICC/ANSI A117.1
- CSA B651
- OBC
- ASME A112.19.2/CSA B45.1
- EPA WaterSense®

### Colors/Finishes

- 0: White
- Other: Refer to Price Book for additional colors/finishes

### Specified Model

Model	Description	Colors/Finishes	
K-3810	Comfort Height compact toilet	<input type="checkbox"/> 0	<input type="checkbox"/> Other_____

Recommended Accessories					
K-4636	Cachet® elongated toilet seat with Q3 Advantage™ <b>OR</b>	<input type="checkbox"/> 0			<input type="checkbox"/> Other_____
K-4650	Lustra™ elongated open-front toilet seat – for Accessibility compliance <b>OR</b>	<input type="checkbox"/> 0			<input type="checkbox"/> Other_____
K-4731	Stronghold® elongated open-front toilet seat – for Accessibility compliance	<input type="checkbox"/> 0			<input type="checkbox"/> Other_____
K-7637	Angle supply with stop – 3/8" NPT		<input type="checkbox"/> CP	<input type="checkbox"/> PB	<input type="checkbox"/> Other_____

### Product Specification

The elongated one-piece toilet shall be made of vitreous china. Toilet shall be 27-3/4" (705 mm) in length, 18-3/4" (476 mm) in width, and 28-3/16" (716 mm) in height with a 11" (279 mm) x 8-1/8" (206 mm) water area. Toilet shall be 12" (305 mm) rough-in with a 2-1/8" (54 mm) glazed trapway. Toilet shall be 1.28 gpf (4.8 lpf) per flush with Class Five flushing system. Toilet shall include a polished chrome trip lever, seat and cover. Toilet shall be less supply. Toilet shall be Kohler Model K-3810-\_\_\_\_\_.

# SANTA ROSA™

## Optional Accessories

K-9169-L	Trip lever (non-CP)	<input type="checkbox"/> PB	<input type="checkbox"/> Other_____
----------	---------------------	-----------------------------	-------------------------------------

## Technical Information

Fixture:	
Configuration	one-piece, elongated
Water per flush	1.28 gpf (4.8 lpf)
Passageway	2-1/8" (54 mm)
Water area	11" (279 mm) x 8-1/8" (206 mm)
Water depth from rim	6-1/4" (159 mm)
Seat post hole centers	5-1/2" (140 mm)
Included components:	
Tank cover	88497
Trip lever	1151513
Toilet seat	K-4774
Tank accessory pack	52265
Bolt cap accessory pack	52048

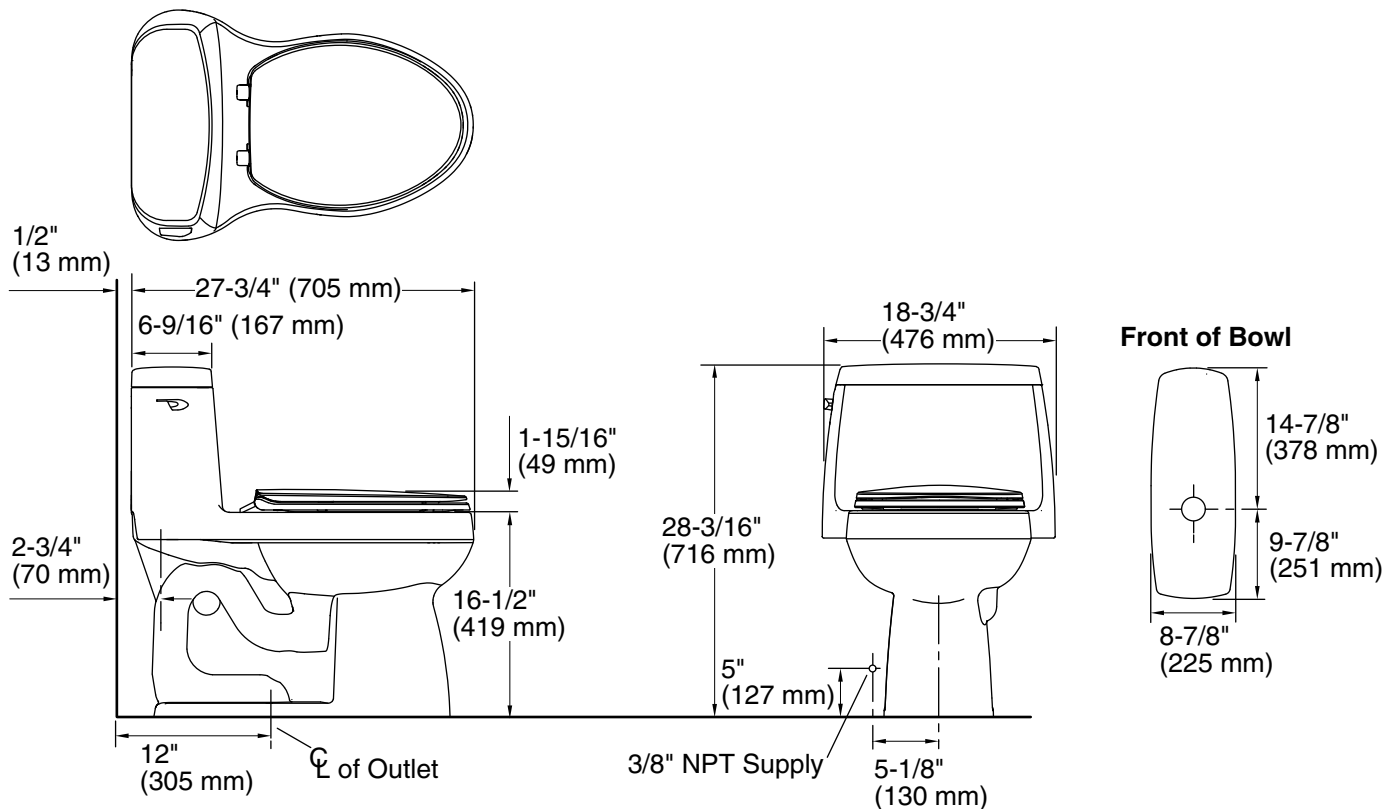
## Installation Notes

Install this product according to the installation guide.

Will comply with the American Disabilities Act (**ADA**) when installed per the requirements of the Accessibility Guidelines, Section 604 Water Closets, of the Act. The Model Plumbing Codes require the installation of elongated open-front toilet seats in public bathrooms.

Will comply with **CSA B651** when installed per Clause 4.3.6 of the standard.

Will comply with **OBC** when installed per Clause 3.8.3.8 and 3.8.3.9.



## Product Diagram